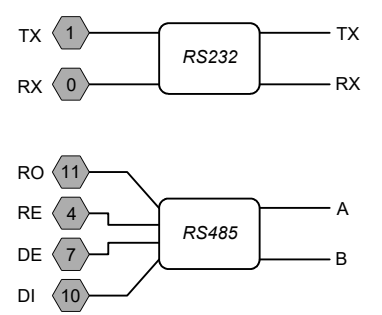


COMPACT PLC ARDUINO 12-24Vdc ARDBOX ANALOG		
Alimentation Voltage	12-24Vdc	Fuse protection (1A) Polarity protection
Max. current consumption	0,5A	
Size	100x45x115	
Clock Speed	16MHz	
Flash Memory	32KB of which 4KB are used by bootlader	
SRAM	2.5KB	
EEPROM	1KB	
Communications	I2C <sup>1</sup> – USB -- RS232 -- RS485 – SPI	
TOTAL Input points	10	
TOTAL Output points	10	
<b>INPUTS</b>	Digital range: 5/12/24 Vdc (3.8 to 25.4 Vdc) Analog range: 0-10 Vdc	
<b>Digital</b>	10	5/12/24Vdc I min: 3/6 mA Separated PCB ground
<b>Analog 10 bits</b>	9 of 10 Digital input	0-10V Input Impedance: 39K Separated PCB ground
<b>* Interrupt HS</b>	1 of 10 Digital input	5/12/24Vdc I min: 5/10 mA Separated PCB ground
<b>OUTPUTS</b>	Digital Isolated range: 5/12/24 Vdc (4.6 to 25.4 Vdc) Analog range: 0-10 Vdc	
<b>Digital Isolated</b>	10	5/12/24 Vdc I max: 0.3 A Galvanic INSULATION Diode Protected for Relay
<b>Analog 8 bits</b>	7	0-10 Vdc I max: 40 mA Separated PCB ground
<b>PWM Isolated 8bit</b>	6 of 10 Digital isolated Output	5/12/24 Vdc I max: 0.3 A Galvanic INSULATION Diode Protected for Relay
<b>Expandability</b>	I2C <sup>1</sup> – RS232 - RS485 - SPI	

<sup>1</sup> Pull-up resistance required for i2c ([IS.AC12C-4.7K](#))

Industrial Shields  
20 I/Os Analog  
Download the user guide and examples from:  
[www.industrialshields.com](http://www.industrialshields.com)



! See switch configuration !

Legend for symbols and colors:

- Hexagon: ARDUINO PIN
- Rectangle: ARDBOX FUNCTION
- Circle: SWITCH CONF.
- Triangle: ISOLATED
- Green: DIGITAL OUT
- Yellow: DIGITAL/PWM OUT
- Orange: ANALOG OUT
- Red: DIGITAL/ANALOG IN
- Pink: DIGITAL IN
- Light Blue: ANALOG/DIGITAL CONFIGURATION SWITCH
- Dark Blue: COMMUNICATION SWITCH
- Purple: COMMUNICATION SWITCH 2