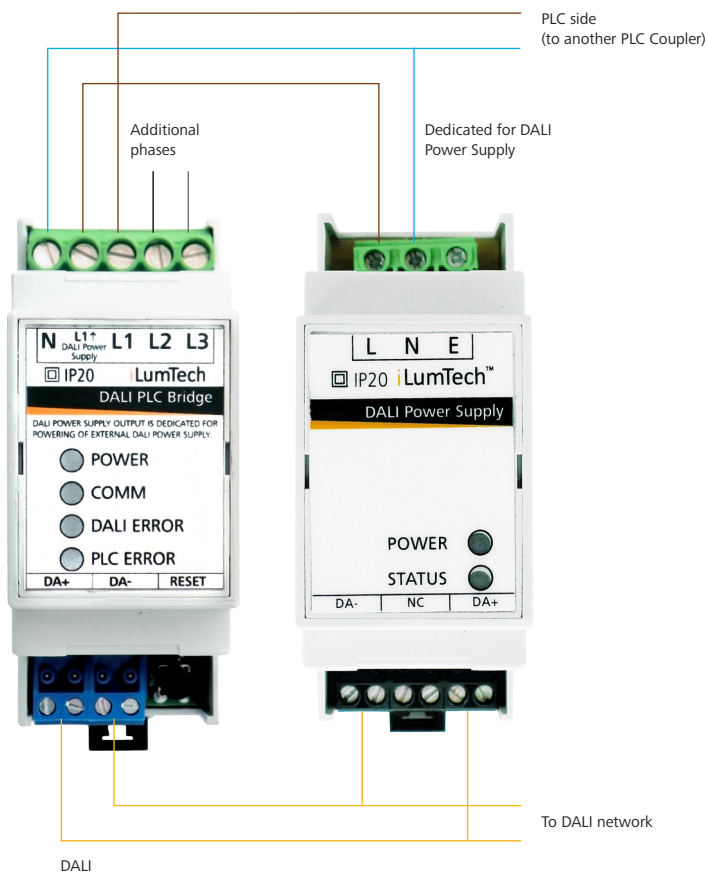




iLumTech DALI PLC Bridge belongs to the Connected Lighting product family. This powerful device is used for connecting two or more DALI networks over mains. It means that it couples DALI communication to the mains and vice versa. This eliminates usage of additional wires where communication is transmitting over mains. This is intended for usage in applications where two-wire cable for DALI communication is not presented and reconstruction is not planned or possible.

DALI PLC Bridge

Wiring diagram



Key features

- Support of forward and backward DALI commands according to IEC 62 386-102
- DALI powered
- 3-phase support
- Communication error source detection
- Dedicated output terminal (mains) for DALI Power Supply
- Over-voltage protection
- Reset push button for Network management

Installation notes:

- Maximum of 64 DALI devices with unique address can be connected to single network
- Only one DALI power supply may be used
- No dimmers are allowed when using DALI PLC

Input parameters:

DALI	12-25 V DC, input current < 20 mA
PLC	120 / 230 V AC

Connections

DALI	0.08-2.5 mm ² (AWG 28-12)
Mains	0.5-4 mm ² (AWG 20-10)

Operating Conditions:

Ambient temp. range	0 °C - +40 °C
Max. relative humidity	90% (non-condensing)
Storage temp. range	-40 °C - +70 °C

Mechanical data

Housing	DIN rail enclosure
Dimensions	90 x 36 x 58 (mm)
Weight	82 g
IP Rating	IP20