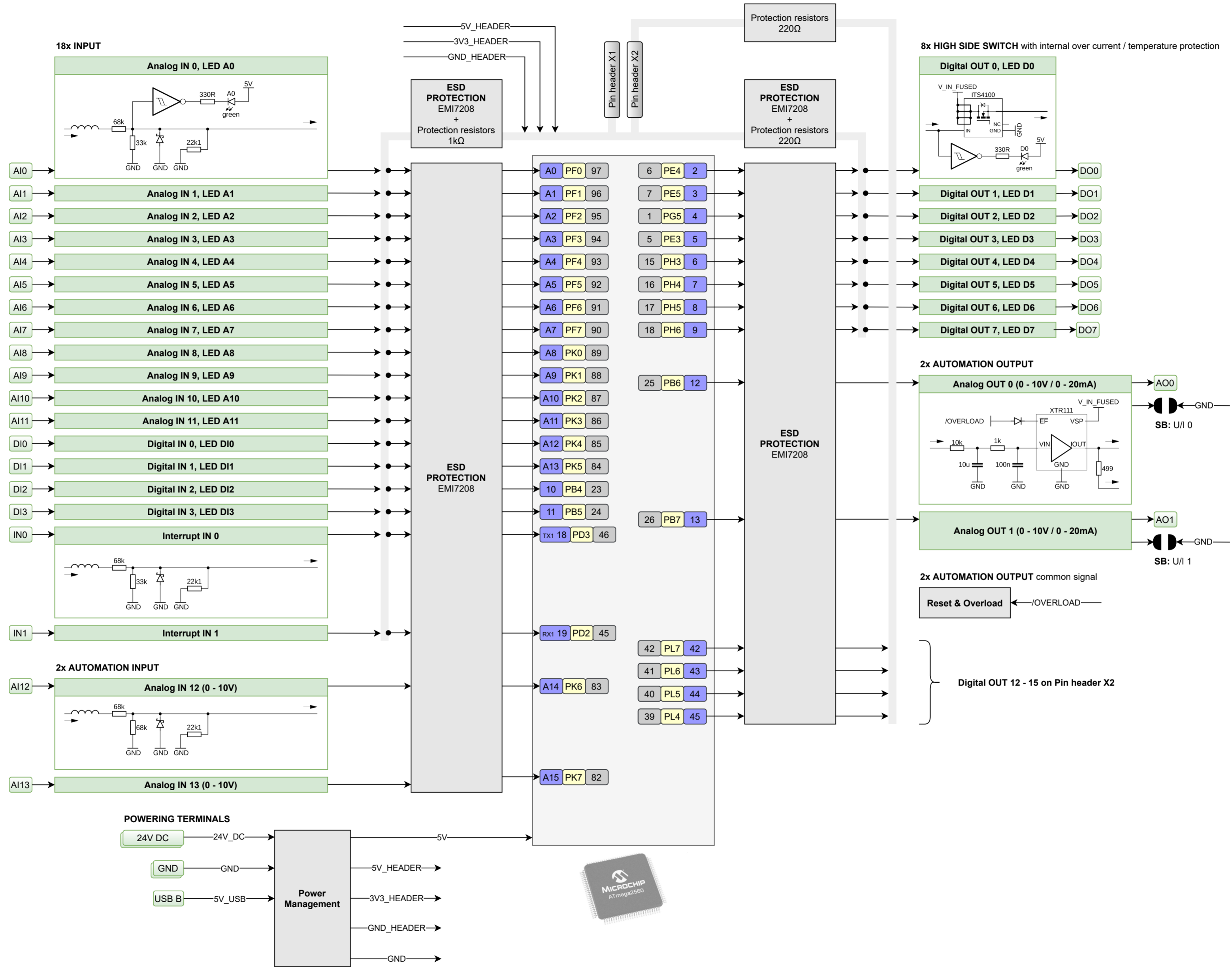
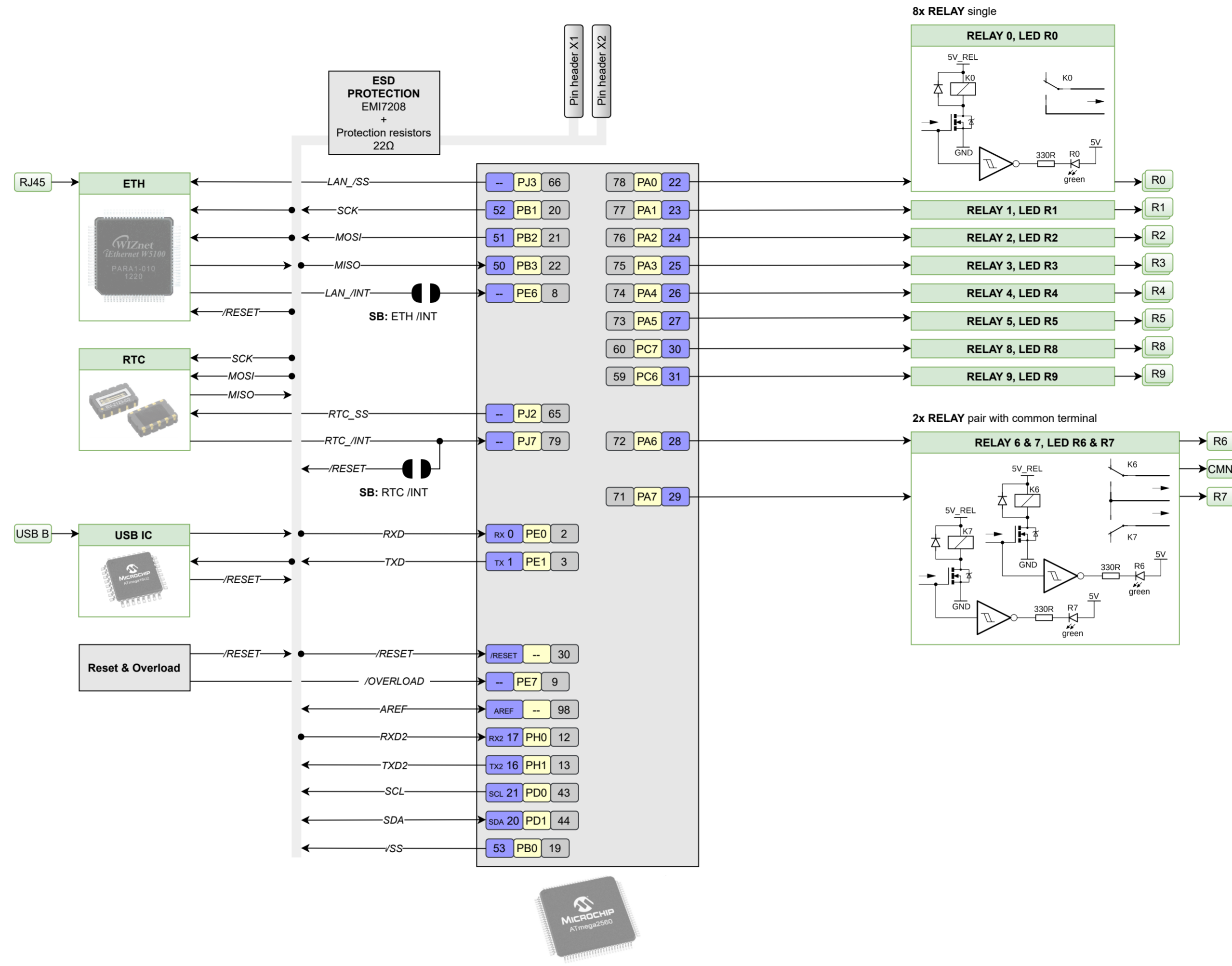


CONTROLLINO
MAXI Automation
 BLOCK DIAGRAM V1.0
 Inputs & Outputs



- LEGEND:**
- CONTROLLINO terminal
 - CONTROLLINO pin header
 - ARDUINO Mega board
 - MCU port pin
 - MCU physical pin
 - Internal circuitry
 - Peripheral circuitry
 - WIRE
 - BUS
 - SOLDER BRIDGE

CONTROLLINO
MAXI Automation
 BLOCK DIAGRAM V1.0
 Communication & Relays



LEGEND:

- CONTROLLINO terminal
- CONTROLLINO pin header
- ARDUINO Mega board
- MCU port pin
- MCU physical pin
- Internal circuitry
- Peripheral circuitry

WIRE
 BUS
 SOLDER BRIDGE

NOTES:
 AREF is connected to Pin Heder via 4.99kΩ resistor

