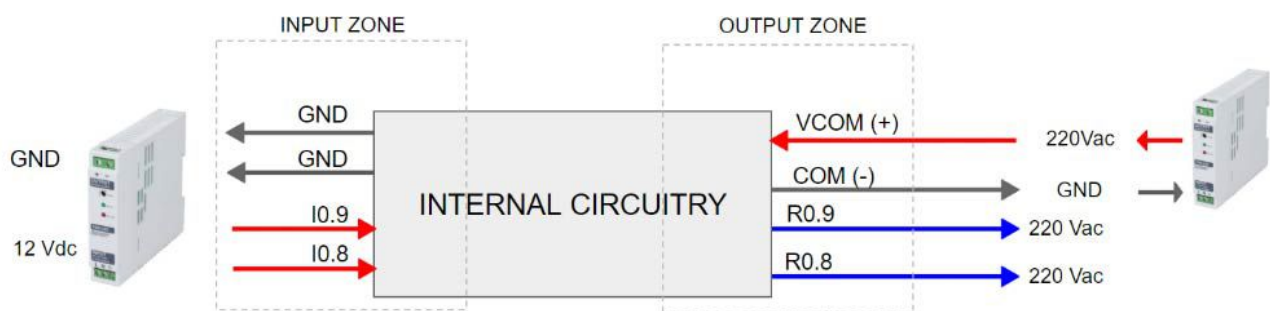


# Din RAIL Power Supply

## AC-DC 120W

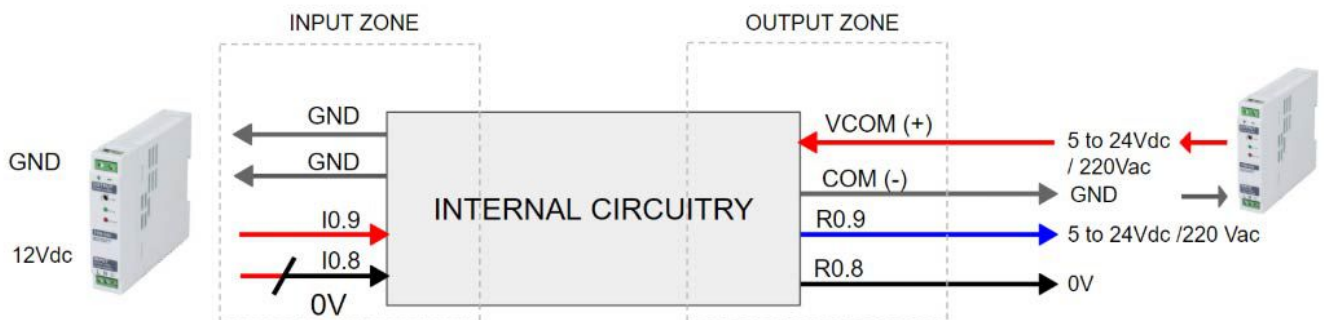
### 1 Output 5A at 24Vdc

Read post module relay.



As you can see in these two representations, the voltage established on the COMMON supply will be the one that will take the R0.9 & R0.8 outputs. The relays will always provide the supply of the COMMON pins.

- What happens if not connecting an input, although the COMMON is getting supplied.



Now we are seeing that in I0.8 the value detected is 0V.

The DC supply on the input I0.8 is not present. This means that the input I0.8 is detecting a LOW value. However I0.9 is getting supplied as in all the examples, so it is getting a HIGH value. We can see now that although the VCOM(+) is getting supplied, the only output that